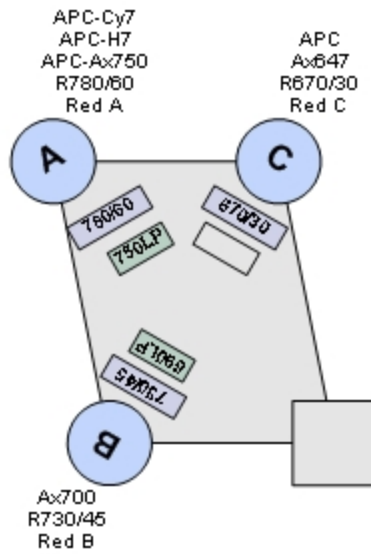


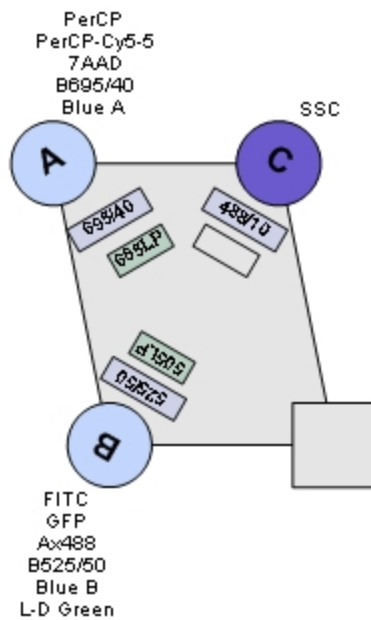
# LSRII\_B 2B 6V 3R 5YG Sep 2013

Cytometer:	LSRII	User:	FlowCyto
Cytometer Name:	LSRII_B	Institution:	private
Serial Number:	H55100039	Software:	BD FACSDiva 8.0.1
Input Device:	Manual	Date:	6/11/2018 1:51:40 PM
Window Extension:	10.00		

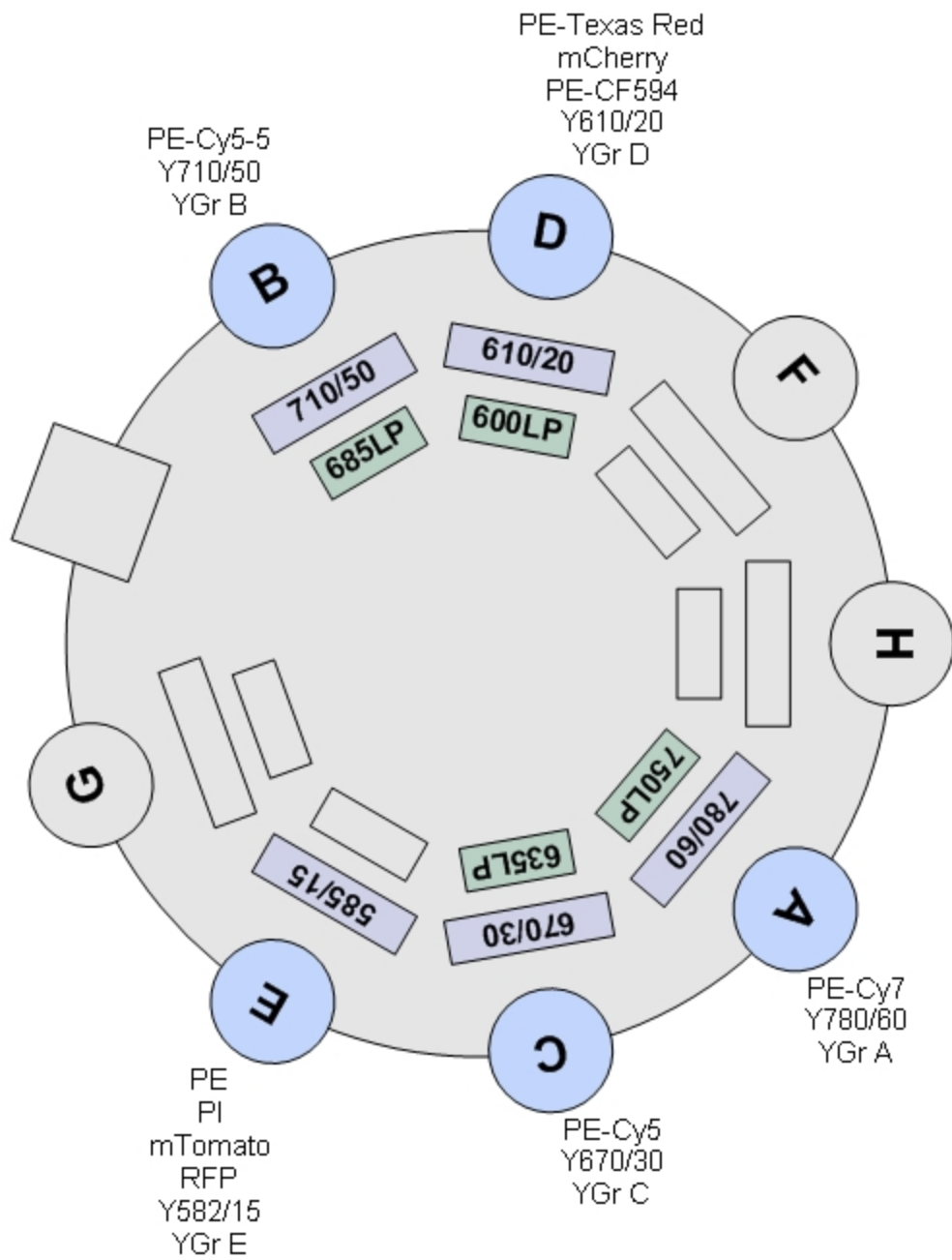
## Red Laser (640nm)



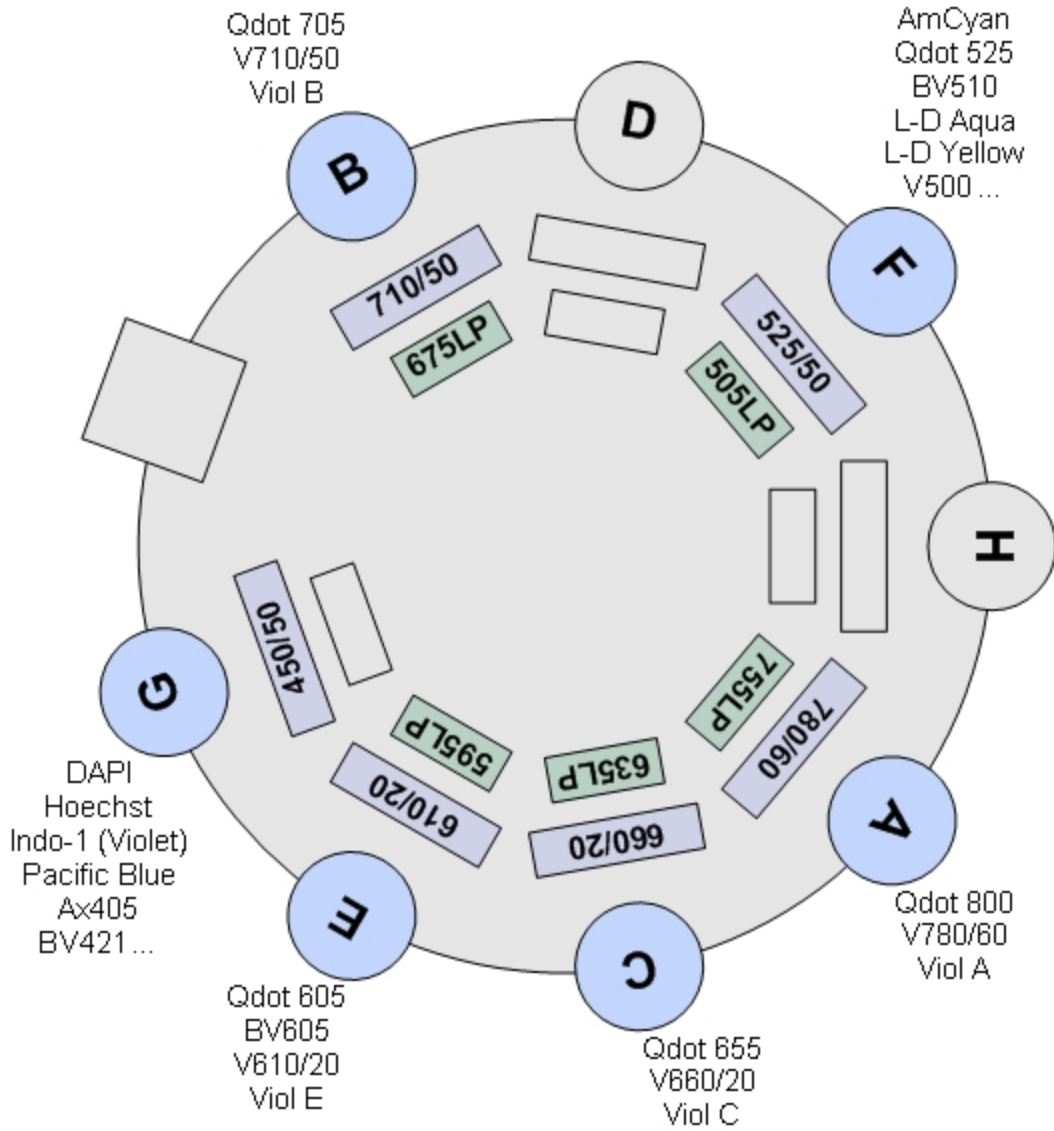
## Blue Laser (488nm) FSC



Yel/Gr Laser  
(561nm)



Violet Laser  
(405nm)



Comments: